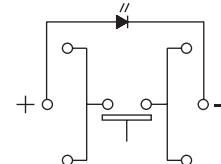
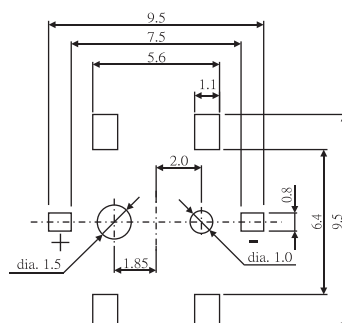
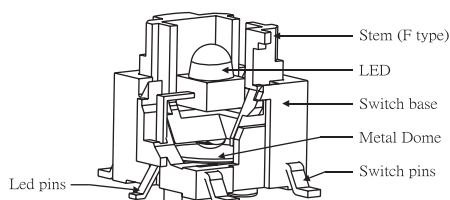
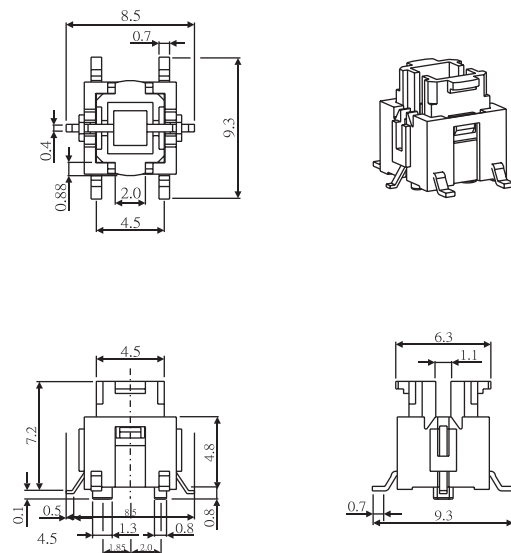
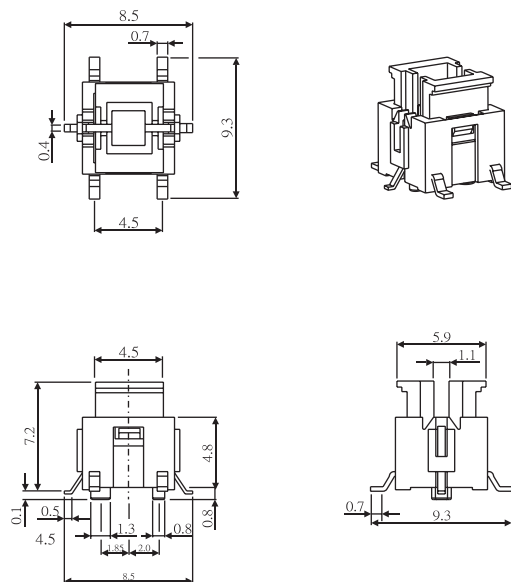




General Specifications	:SPST
Current Rating	:50mA
Voltage Rating	:12VDC
Dielectric Withstanding Voltage	:250VAC for 1 minute
Contact Resistance	:100m Ohm Max.(initial)
Insulation Resistance	:100m Ohm Min.
Operating Force	:200gf±50gf
Total Travel	:0.25mm±0.2mm
Operating Life	:100,000 cycles Min.
Solder Specifications	:260 deg. for 3 seconds
Function	:Momentary
Operating Temperature	:-10 deg.~+60 deg.
Materials	
Cap	:Acrylonitrile Butadine Styrene (ABS)
A4 type cap	:Polycarbonate (PC)
Bottom	:Polyamide (PA)
Terminal	:Brass with gold plating
Moving Contact	:Phosphor bronze (PBS) with gold plating

Switch with N type stem

Switch with F type stem



P.C.B. Layout

Circuit Diagram

Dimension unit in mm

LED Characteristics

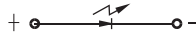
The electrical specifications shown are determined at a basic temperature of 25°C. If the source voltage exceeds the rated voltage of LED, a ballast resistor must be connected in series with the LED.

LED Characteristics

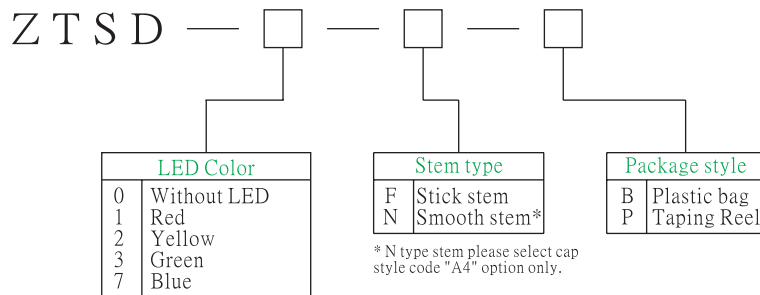
Single color	Forward Voltage V_F (V) at 20mA	Forward Current I_F (mA)	Reverse Voltage V_R (V)	Reverse Current I_R (uA) at $V_R=5V$
Red	1.9~2.5	20 mA	5V	100uA max.
Yellow	2.0~2.6			
Super Yellow	2.0~2.5			
Green	2.2~2.6			
Blue	2.8~3.2			
White	3.2~3.6			



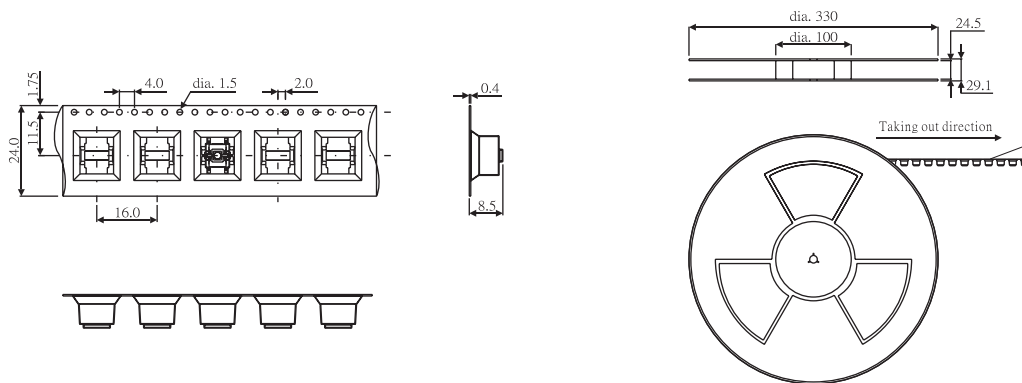
Attention: LED are electrostatic sensitive devices



How to Order Switch unit



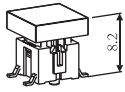
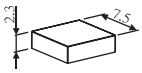
Tape reel package



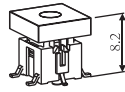
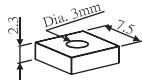
Taping reel package quantity is 450 pcs in reel so the MOQ must be 1 reel
 Plastic bag package quantity is 500pcs in bag so the MOQ must be 1 bag

Cap style

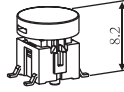
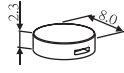
Cap must fit on the switch after soldering process.



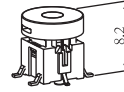
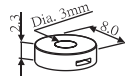
CA



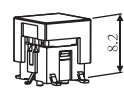
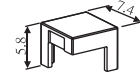
CBL



CC



CDL



A4

How to Order CAP

YZTS — — — CAP

Cap style	
CA	Square w/o LED
CBL	Square spotlight
CC	Circle w/o LED
CDL	Circle spotlight
A4	Full face illuminate*

* A4 style cap please select color code "4" option only.

Cap color	
1	Red
3	Green
4	White*
5	Black
6	Orange
9	Grey

* A4 cap style only.

Note: CAP must fit on the switch AFTER soldering process.

Dimension unit in mm